

Order Code : 3099602
 Product Code : STL 012A 40OD00 1K1 90TK3I LN3XST

Product Data

Standard Features

Housing	: RAL 7047 Powder finished aluminium extrusion housing, aluminium injection cover
Diffuser	: Glare minimizing highly permeable diffuser
Ceiling Type	: Plasterboard
IP Grade	: IP40
Installation	: Recessed mounted
Light Source	: Mid Power LED

Optical & Electrical Features

Power Consumption	: 11.9 W
Final Luminous Flux	: 1171.3 lm
Efficacy	: 98 lm/W
Input Voltage	: 220-240 V AC
Frequency	: 50-60 Hz
Power Factor	: > 0,9
Surge Transient Protection	: 1 kV
Drive Current	: 300 mA
Correlated Color Temperature	: 4000K
Color Rendering Index	: >80

*There is ±%10 tolerance in the technical values.

Other Features & Conditions

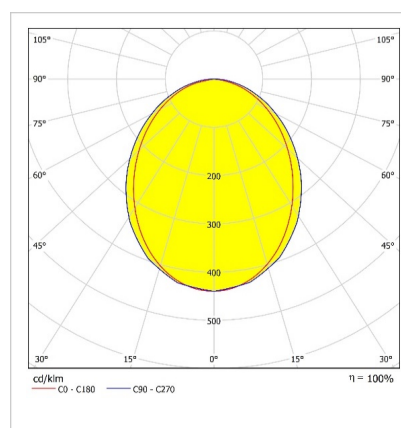
Operating Temperature Range	: -25 °C/+40 °C
Impact Resistance	: IK02
Led Life Time - L70	: > 72.000 hours @Ta= 40 °C

STL

12 W Recessed Mounted Single Module
 Linear LED Luminaire



Photometric Curve



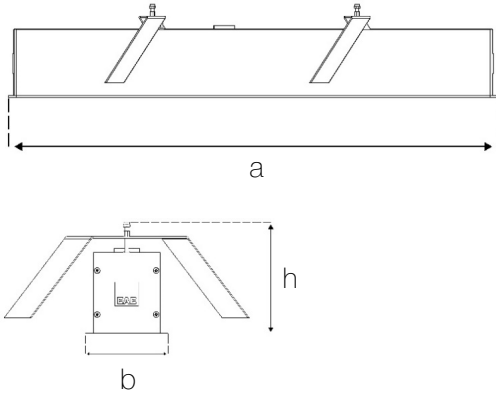
Optional Features

Correlated Color Temperatures	: 2700K, 3000K
Emergency Kit Options	: No
DALI Option	: Yes
Color Option	: RAL 9005

STL

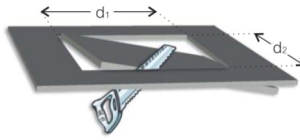
12 W Recessed Mounted Single Module Linear LED Luminaire

3099602 STL 012A 400D00 1K1 90TK3I LN3XST



Dimensions (mm)

	a	b	h	d ¹ , d ²
Single Module	925.5	86	120	915x79
Starting Module	910	86	120	908x79
Finishing Module	910	86	120	908x79
Intermediate Module	901.5	86	120	901.5x79



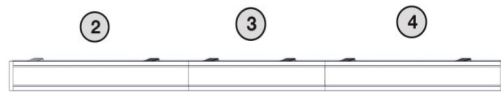
Weight (kg)

Standard	3,1
----------	-----

Installation System



Single (TK)



Starting (BS) Intermediate (AR) Finishing (SN)



Starting (BS) Finishing (SN)

1

Ordering Code : 3099602
Product Code : STL 012A 400D00 1K1
90TK3I LN3XST
Module Model : Single (TK)

2

Ordering Code : 3099600
Product Code : STL 012A 400D00 1K1
90BS3I LN3XST
Module Model : Starting (BS)

3

Ordering Code : 3099599
Product Code : STL 012A 400D00 1K1
90AR3I LN3XST
Module Model : Intermediate (AR)

4

Ordering Code : 3099601
Product Code : STL 012A 400D00 1K1
90SN3I LN3XST
Module Model : Finishing (SN)

- EAE, reserves the right to make changes without prior notice.



Revision date: 09.02.2020